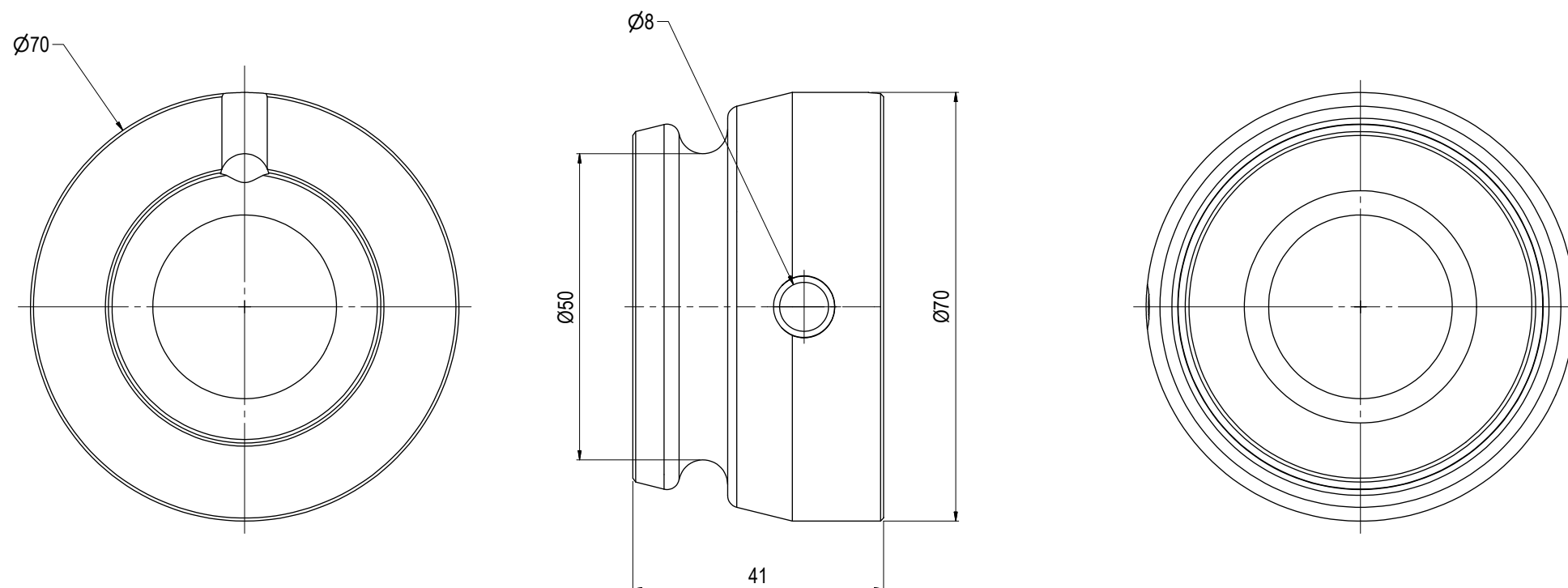


NOTE: 1
 DESIGN CODE:
 N/A

NOTE: 2
 TECHNICAL CLASSIFICATION:
 Article Type: 002-ROV handles
 Main Group: 2.00. Generic-Handel
 Intermediate Group: 2.76.00. Generic
 Sub Group: 2.76.328.00. Generic

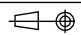
NOTE: 3
 INTERFACE INFORMATION:
 Pressure Rating Bar: 0
 Material: Rubber
 Weight: 0,1 kg
 Volume: 0,08 dm³
 Surface Area: 194 cm²
 Hydraulic: N/A
 Mechanical: N/A
 Electrical: N/A
 Com. & Protocol: N/A



07	03.06.2014	9-IFU (Issued for Use)	Change of Material	HNJ	HSE	HNJ
06	12.4.2013	7-IFC (Issued for Construction)		HNJ	LAE	HNJ
05	2.11.2012	7-IFC (Issued for Construction)		HNJ	EKJ	HNJ
04	1.11.2012	7-IFC (Issued for Construction)		HNJ	LGH	HNJ
Rev.	Date	Reason for issue	Revision change	Made	Chk'd	Appr.

BLUE LOGIC 

This Drawing is the Property of Blue Logic AS © and must Not be Loaned, Reproduced or Transferred to others without written Permission

Dwg Scale:	NTS
Dwg Proj:	
Dwg Format:	A3

Drawing title:	Flex Element
Drawing number:	PA0050
Rev:	07